

Conduit Box Kit No. 5370-101-042 for use with Electro Modules

P-1408
819-0344

Installation Instructions

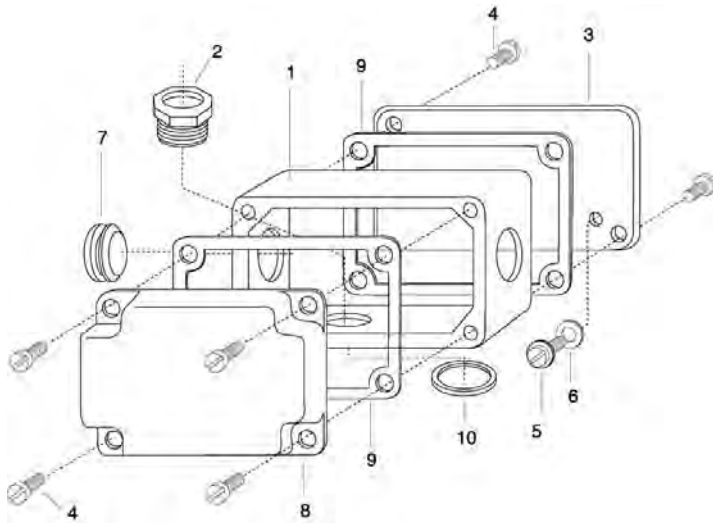


An Altra Industrial Motion Company

⚠ WARNING Make sure all power is turned off to this equipment when installing. Failure to follow these instructions may result in product damage, equipment damage, and serious or fatal injury to personnel.

Introduction

This Warner Electric conduit box is designed to provide a proper enclosure for wiring terminations. It conforms to the requirements of Underwriters Laboratories under UL508, Industrial Control Equipment.



Parts list for kit 5370-101-042

Item	Quantity	Part Name
1	1	Conduit Box
2	1	Conduit Box Fitting
3	1	Cover Plate
4	6	Pan Head Tapping Screw
5	1	Hex. Washer Head Screw
6	1	Ring Terminal
7	2	Protective Plug
8	1	Cover (Plastic)
9	2	Gasket
10	1	Tooth Washer

Note: All screws are self tapping.

Assembly to Electro Module

1. Feed clutch/brake lead wires through tooth washer (10) and bottom hole in conduit box (1) and conduit box fitting (2). (See Figure 1)



Figure 1

2. Insert conduit box fitting (2) through bottom hole of conduit box and thread into tapped hole of module housing. Tighten securely to hold box in place. (See Figure 2)

Note: Hold wires to prevent twisting.



Figure 2

3. Assemble 1/2" flexible conduit fitting into desired end of conduit box. Avoid using excess force which could damage the mounting. Install protective plug (fitting only) (7) into conduit box hole which is not used. (See Figure 3)



Figure 3

4. Connect electric supply cable or flexible conduit to the fitting installed in the conduit box. **Rigid conduit must not be connected directly to the box as clutch/brake damage may result.** A minimum of 12 inches of flexible cable or conduit is recommended. (See Figure 4)



Figure 4

5. Connect back cover (3) to the conduit box with two self tapping screws (4). (See Figure 5)

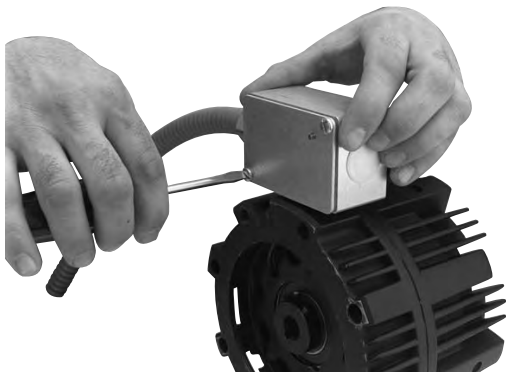


Figure 5

6. Electrical Connections

- A. If external control is used, make wire connections with wire nuts or appropriate means in compliance with local electrical codes. Use **green** self tapping screw (5) and wire washer (6) for grounding. (See Figure 6)

Important – Provide only D.C. power to the clutch/brake. A.C. voltage will not allow unit to function properly and damage may result.

- B. If CBC-150 control (not furnished) is used, cut clutch/brake lead wires off to meet local codes and make connections per CBC-150 installation instructions. Use green self tapping screw (5) and wire washer (6) for grounding. Mount control to box with four self tapping screws (4).



Figure 6

7. If external control is used, install the black plastic front cover (8) using the four self tapping screws (4) furnished. (See Figure 7)



Figure 7

Warranty

Warner Electric LLC warrants that it will repair or replace (whichever it deems advisable) any product manufactured and sold by it which proves to be defective in material or workmanship within a period of one (1) year from the date of original purchase for consumer, commercial or industrial use.

This warranty extends only to the original purchaser and is not transferable or assignable without Warner Electric LLC's prior consent.

Warranty service can be obtained in the U.S.A. by returning any defective product, transportation charges prepaid, to the appropriate Warner Electric LLC factory. Additional warranty information may be obtained by writing the Customer Satisfaction Department, Warner Electric LLC, 449 Gardner Street, South Beloit, Illinois 61080, or by calling 815-389-3771.

A purchase receipt or other proof of original purchase will be required before warranty service is rendered. If found defective under the terms of this warranty, repair or replacement will be made, without charge, together with a refund for transportation costs. If found not to be defective, you will be notified and, with your consent, the item will be repaired or replaced and returned to you at your expense.

This warranty covers normal use and does not cover damage or defect which results from alteration, accident, neglect, or improper installation, operation, or maintenance.

Some states do not allow limitation on how long an implied warranty lasts, so the above limitation may not apply to you.

Warner Electric LLC's obligation under this warranty is limited to the repair or replacement of the defective product and in no event shall Warner Electric LLC be liable for consequential, indirect, or incidental damages of any kind incurred by reason of the manufacture, sale or use of any defective product. Warner Electric LLC neither assumes nor authorizes any other person to give any other warranty or to assume any other obligation or liability on its behalf.

WITH RESPECT TO CONSUMER USE OF THE PRODUCT, ANY IMPLIED WARRANTIES WHICH THE CONSUMER MAY HAVE ARE LIMITED IN DURATION TO ONE YEAR FROM THE DATE OF ORIGINAL CONSUMER PURCHASE. WITH RESPECT TO COMMERCIAL AND INDUSTRIAL USES OF THE PRODUCT, THE FOREGOING WARRANTY IS IN LIEU OF AND EXCLUDES ALL OTHER WARRANTIES, WHETHER EXPRESSED OR IMPLIED BY OPERATION OF LAW OR OTHERWISE, INCLUDING, BUT NOT LIMITED TO, ANY IMPLIED WARRANTIES OF MERCHANTABILITY OR FITNESS.

Some states do not allow the exclusion or limitation of incidental or consequential damages, so the above limitation or exclusion may not apply to you. This warranty gives you specific legal rights and you may also have other rights which vary from state to state.

Changes in Dimensions and Specifications

All dimensions and specifications shown in Warner Electric catalogs are subject to change without notice. Weights do not include weight of boxing for shipment. Certified prints will be furnished without charge on request to Warner Electric.



Warner Electric LLC
449 Gardner Street • South Beloit, IL 61080
815-389-3771 • Fax: 815-389-2582
www.warnerelectric.com
An Altra Industrial Motion Company